



elegance

ROLLER BLIND

DAY + NIGHT

Installation Instructions



BLOCKOUT



SHEER



CHILD-SAFE



SILENT
BOTTOM RAIL



Innovative fabric utilises DULUX® technology to match popular paint colours.

- Premium blockout fabric featuring Dulux® technology
- Smooth operation with easy to install colour matched brackets
- Stylish silent bottom rail enhances blind to suit both modern and classic decors
- Elegant clear ball chain with Child Safety device to minimise tangling



Contents

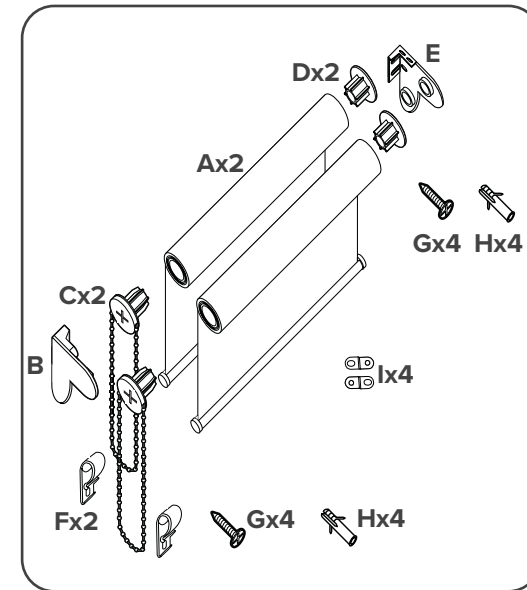
Installation Options	pg 4
Installation Instructions	pg 5
Maintenance	pg 7

You'll Need



FIXINGS INCLUDED

Components List



Before installation, check to ensure all blind parts are present

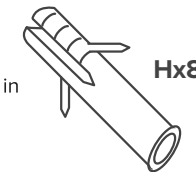
- A:** Roller Blind
- B:** Bracket (for chain mechanism)
- C:** Chain mechanism
- D:** Idler end
- E:** Bracket (for idler end)
- F:** Tension device
- G:** Screws
- H:** Plaster Plugs
- I:** Chain Joiner

Fixings Included

Screws for fitting to Architrave, Lintel/Wall or Ceiling Joist/Beam. Not suitable for fixing to brick or metal.



Plaster Plugs to be used in conjunction with screws when fitting to plaster.



Screws (**G**) have been provided for fixing brackets to architrave or timber frame.

If fitting to plaster, use Plugs (**H**) provided.

NOTE: ALTERNATE FIXINGS ARE REQUIRED IF FITTING TO BRICK OR METAL DEPENDING ON YOUR SPECIFIC APPLICATION/LOCATION

! WARNING

To avoid creating a possible strangulation hazard for children, the corded internal window covering must be installed in such a way that a loose cord cannot form a loop 220mm or longer at a height of less than 1600mm above floor level.

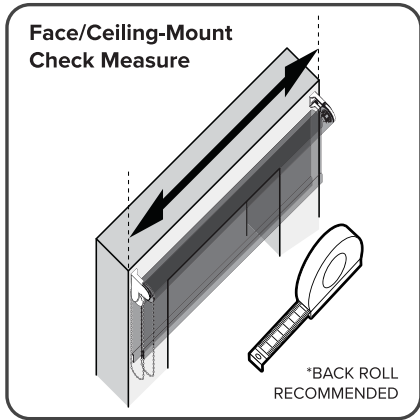
A cord guide may be installed lower than 1600mm above floor level if the cord is sufficiently secured or tensioned to prevent a loop 220mm or longer from being formed.

If a cord guide is installed lower than 1600mm above floor level it must be designed to prevent a child from being able to remove the cord.

If a cleat is used to secure the cord it must be at least 1600mm above floor level because a child is capable of unwinding a cord from a cleat.

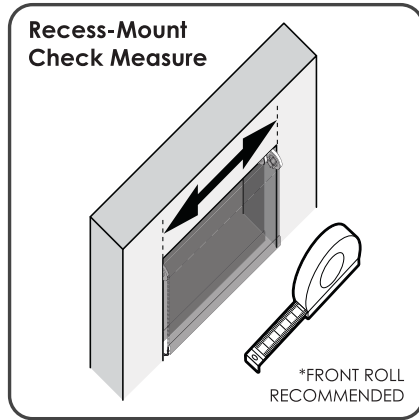
Installation Options

FACE MOUNT



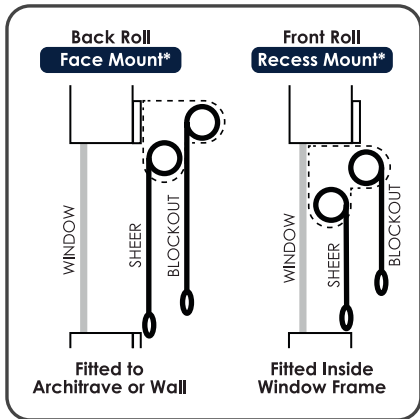
Face Mounted blinds are fixed to either: Architrave, Lintel/Wall or ceiling above the window frame. Measure width to cover opening as shown above.

RECESS MOUNT



Recess Mounted blinds are fixed inside the window frame. Measure width to fill opening as shown above.

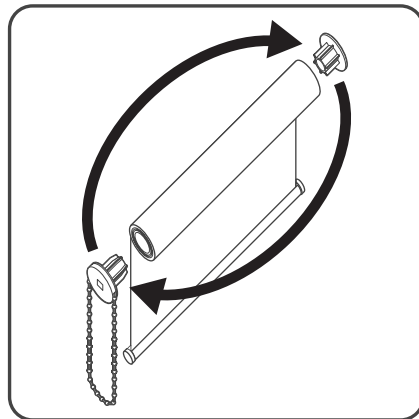
FABRIC ROLL DIRECTION



Fabric can be rolled from the front or back by simply flipping the entire roller tube or re-rolling the blind backwards.

***RECOMMENDED STYLE**

OPERATION SIDE



The Chain Operation can be swapped from either left or right side* depending on your application/location.

*Both rollers must have chain on same side.

Installation Instructions

NOTE ONE

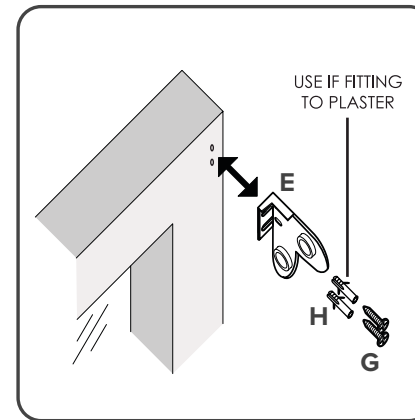
Always measure and mark level bracket positions before pre-drilling pilot holes.

Before securing bracket, determine which side will have the chain mechanism operation and secure with bracket (B).

NOTE TWO

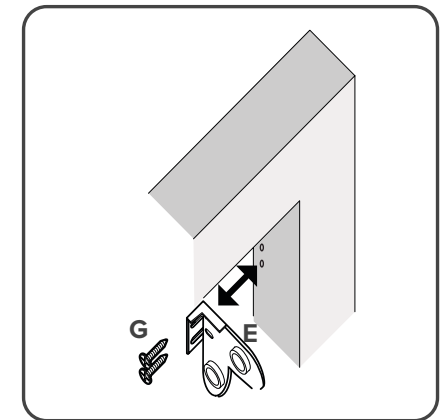
Alternate fixings are required if fitting to brick or metal depending on your specific application/location.

STEP 1 FACE MOUNT



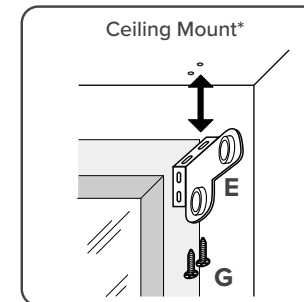
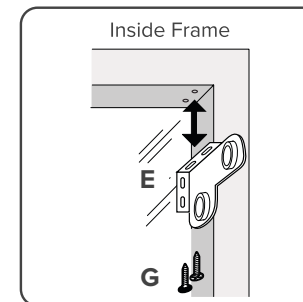
Secure to Architrave or Wall as shown above using screws provided. Use plaster plugs if fixing to wall.

STEP 1 RECESS MOUNT



Secure inside window frame as shown above using screws provided

STEP 1 TOP MOUNT



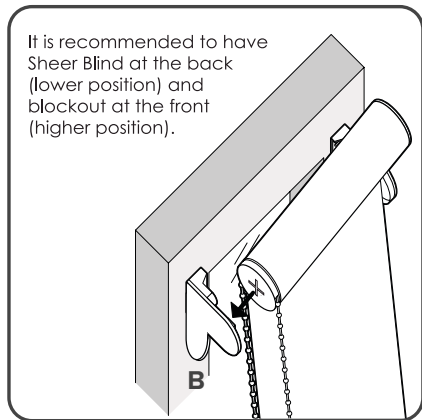
Secure to top of window frame or to ceiling as shown.

NOTE THREE

Ceiling mount must be fixed to joist/beam. Failure to do so could result in damage and/or injury.

Installation Instructions

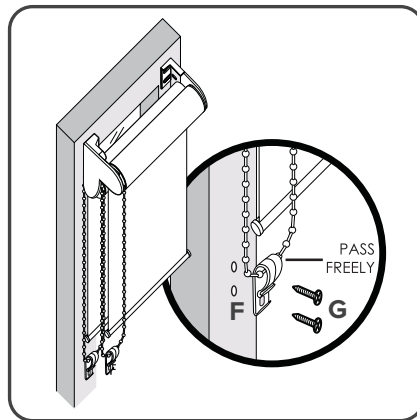
STEP 2 INSERT BLIND



Insert chain mechanism (C) into the desired side of roller tube. Insert idler end (D) into the opposite end.

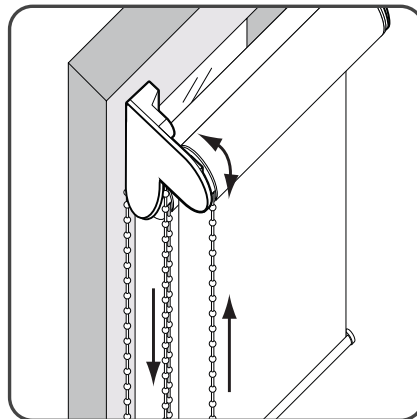
Insert blind into brackets: starting from the side with chain mechanism (C), insert into bracket (B). Then slide the idler end into bracket (E).

STEP 3 INSTALL SAFETY DEVICE



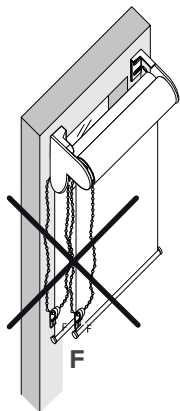
Lightly tension ball chain and fit tension device securely to architrave/wall. Allow enough play for chain to pass through device freely.

OPERATION



Gently pull on the ball chain to raise or lower your blind to any height.

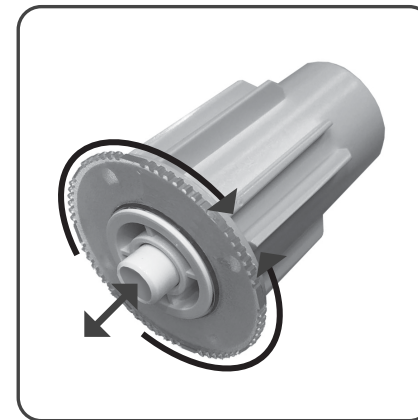
⚠ WARNING



To avoid creating a possible strangulation hazard for children, the corded internal window covering must be installed in such a way that a loose cord cannot form a loop 220mm or longer at a height of less than 1600mm above floor level.

Maintenance

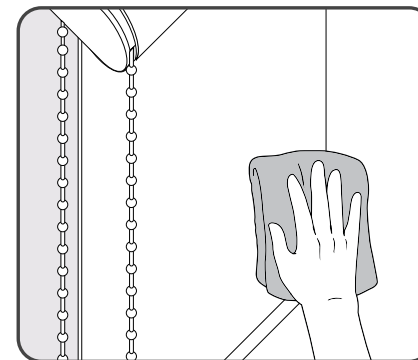
BLIND REMOVAL



Idler Pin mechanisms have a special feature allowing the pin to be wound in/out for easy blind removal and access to window for cleaning, painting or maintenance.

Twist clear wheel of Idler end (D) to release the blind from bracket.

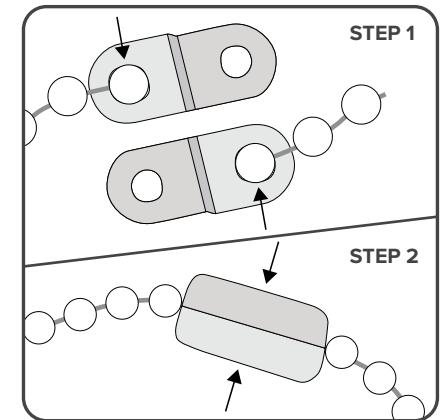
CLEANING



Dust periodically. Use warm soapy water (gentle/mild laundry detergent) and soft cloth to clean if required.

Avoid using harsh chemical as it can damage fabric coating.

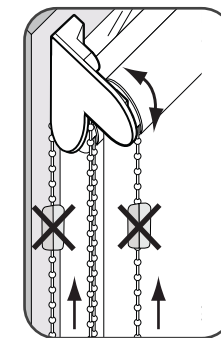
SHORTENING CHAIN LENGTH



- To shorten current roller blind chain:
- Cut excess chain using scissors*
 - Place the last bead from the chain into the ball slot of one half of the chain joiner
 - Repeat for the other half of chain joiner
 - Clip the two halves together, you should now have a complete chain loop.

NOTE

*Measure the desired length of chain carefully. Once chain joiner is in place, it will NOT be able to pass through the chain mechanism.



Scan QR for instructional video

PILLAR



Pillar Products PTY LTD
pillarproducts.com.au

48-50 Access Way,
Carrum Downs VIC 3201
1300 155 355
info@pillarproducts.com.au

WARRANTY



To register your purchase for our warranty, scan here and complete the steps. For any other issues please contact the Bunnings store of purchase.